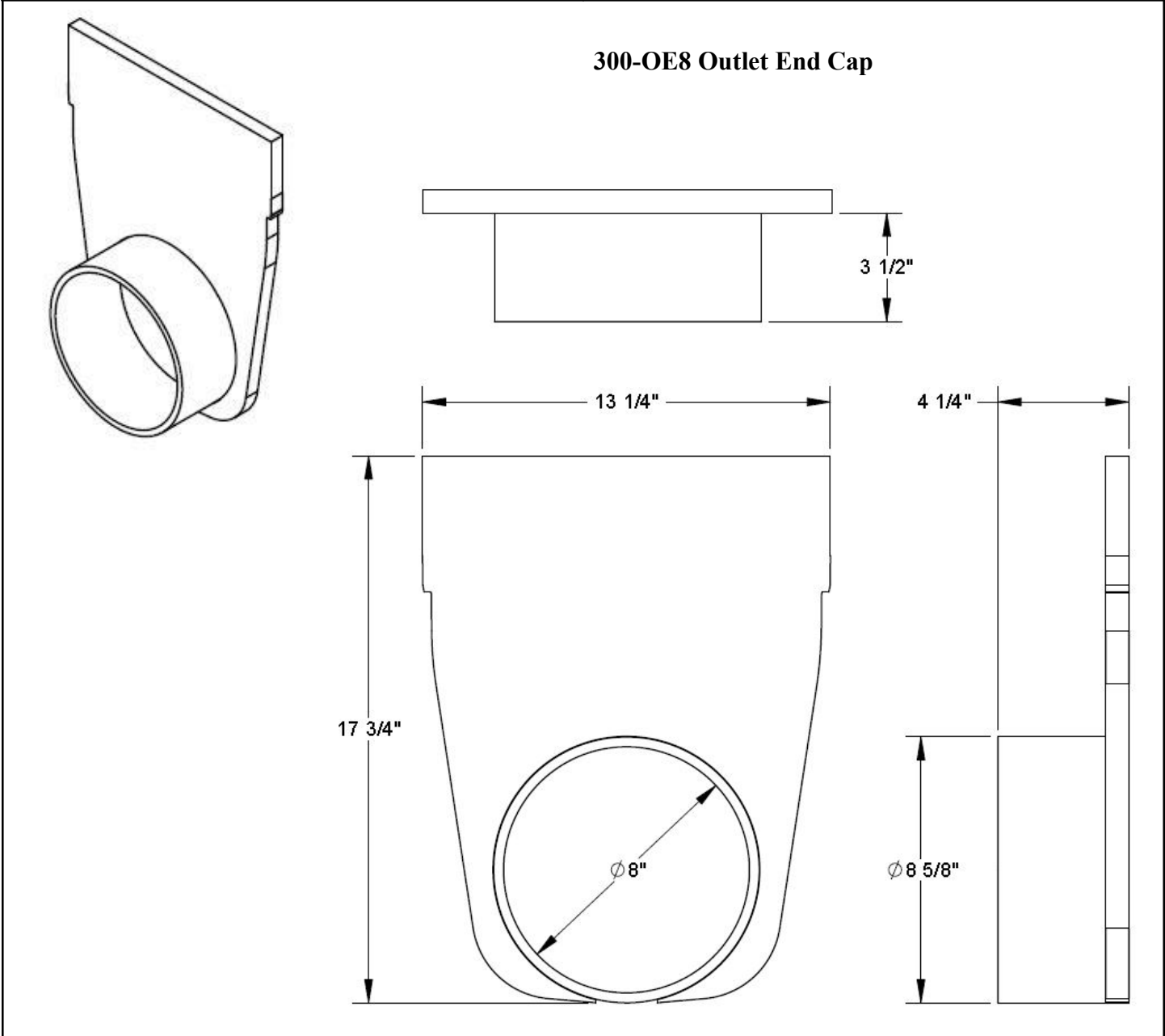



<p>Number</p> <p style="text-align: center;">300-OE8</p>	<p>Series</p> <p style="text-align: center;">CPS300 Outlet End Cap Pro Plus 300</p>
------------------------------------------------------------------------	-----------------------------------------------------------------------------------------------------------



<p>Manufacturer</p> <div style="border: 1px solid black; padding: 5px; text-align: center;">  </div> <p>Quality engineered trench drain system</p>	<p>Specification</p> <p>MEA 300-OE8 END OUTLET FOR 300C 12" INTERNAL WIDTH TRENCH CHANNELS. MADE WITH PVC MATERIAL AND DESIGNED TO SECURELY FIT ON ENDS OF 300C CHANNELS AND CONNECT TO STANDARD 8" PVC FITTINGS, SUPPLIED BY TRENCH DRAIN SUPPLY.</p>
----------------------------------------------------------------------------------------------------------------------------------------------------------------------------------------------------------------------------------------------	---------------------------------------------------------------------------------------------------------------------------------------------------------------------------------------------------------------------------------------------------------------

DISCLAIMER - The customer and the customer's architects, engineers, consultants, and other professionals are completely responsible for the selection installation and maintenance of any product purchased from Trench Drain Supply and/or its manufacturers. TRENCH DRAIN SUPPLY MAKES NO WARRANTY, EXPRESS OR IMPLIED, AS TO THE SUITABILITY, DESIGN, MERCHANTABILITY, OR FITNESS OF THE PRODUCT FOR CUSTOMERS APPLICATION. The drawing and information provided remain the property and copyright of the manufacturer listed. The manufacturer reserves the right to modify specification without notice.